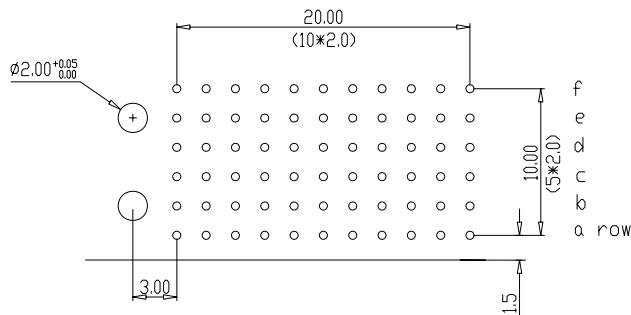
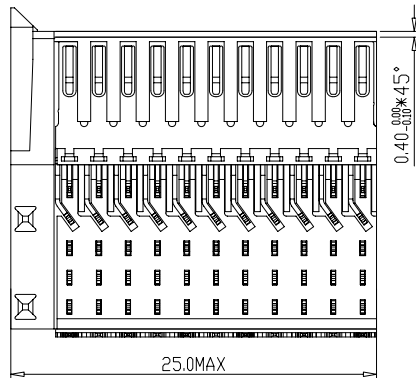
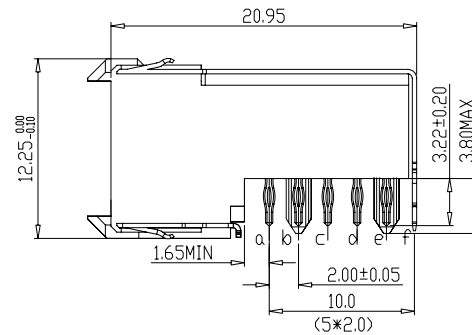
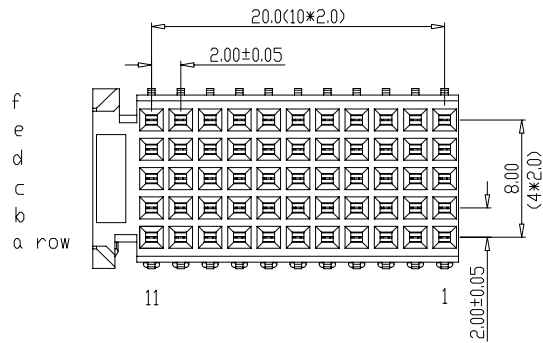




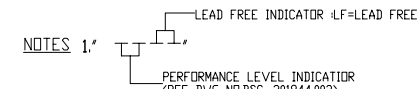
Tous droits strictement reserves. Reproduction ou communication a des tiers interdite sous quelque forme que ce soit sans autorisation ecrite du proprietaire. Propriete de c FCI. Droits de reproduction FCI.

All rights strictly reserved. Reproduction or issue to third parties in any form whatever is not permitted without written authority from the proprietor. Property of FCI. Copyright FCI.



PERFORMANCE CHARACTERISTICS

- CURRENT RATING 1.5A AT 20°C (FULLY LOADED)  
1 A AT 70°C (FULLY LOADED)
- RATED VOLTAGE : 500 V AC (CONT /CONT)
- OPERATING TEMPERATURE : -55°C TO 125°C
- CONTACT RESISTANCE 20 MΩ MAX
- INSERTION FORCE : 0.75N MAX/CONT
- EXTRACTION FORCE : 0.15N MIN/CONT
- INSULATION RESISTANCE : 10<sup>4</sup> MΩ MIN



- THIS PRODUCT IS CSA APPROVED. THIS PRODUCT IS UL RECOGNIZED.
- FOR RECOMMENDED PTH DIMENSIONS REFER DRAWING : BSA.201572.001
- THIS PRODUCT (LF) MEETS EUROPEAN UNION DIRECTIVES AND OTHER COUNTRY REGULATIONS AS DESCRIBED IN GS-22-008

rev	ecn no	dr	date
A	CONVERSION REVISION 05	KN	14-09-01
B	105-0085	ALEX B	02-06-05
C	DG05-0278	Kason	02-08-05
D	DG07-0362	Kason	05-09-07
-	-	-	-
-	-	-	-
05	BEC 9.3546	RM	110601

Material		Spec ref		tolerance	projection	MM
Mat code		✓		1DEC ± 0.2 1DEC 2DEC ± 0.1 2DEC ANGLES ± 1° HOEKEN	⊕	
Heatreat				size A4		Scale 2.000
Plating/Finish				Model Name		REL Level
Dr	W.Panis	07-04-92	Product family MILLIPACS			
Eng			Model Revision			
Chr			Model Name		ECN	
Appr			Model Revision		REL Level	
FCI title		MPACS 5+2R RA RCP CONN TYPE C		dwg no BSC201444003		Rev. D
Pro/E file	catalog no	HM2R03PA5101----	CUSTOMER DRAWING		sheet 1 of 1	